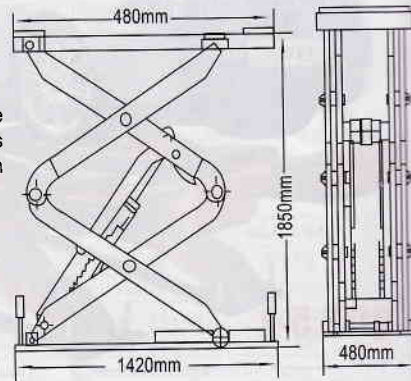




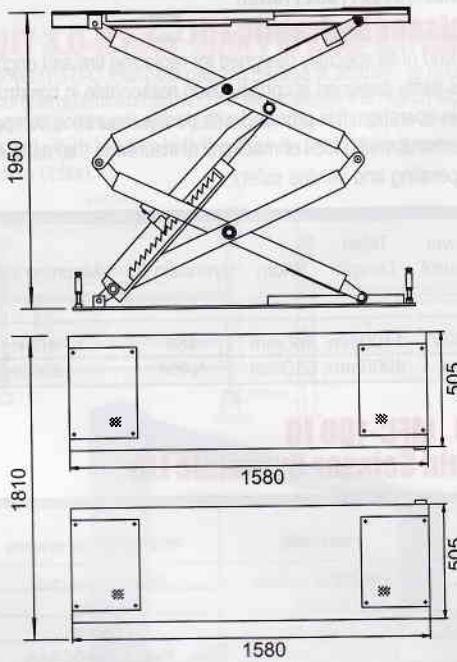
QJY3.2-1 CE

◀ **QJY3.2-1 Scissor Hydraulic Lift**

This lift can be used for maintenance and check for all kinds of car and baby track less than 3.2T. It is convenient and flexible to operate, and takes less areas in favor of passing in and out for cars. It is the requisite device for car maintenance.



Model	Capacity	Lift Height	Rise Time	Drop Time	Power of Motor	Power Control	Power Supply	Hydraulic Oil	Machine Weight	table aty	table size	Width between table
QJY3.2-1	3.2 T	3050mm	45s	—	2.2kw	—	380v	N46#	850kg	—	—	—
QJYJ30	3T	1750mm	55s	18s	2.2kw	DC24	380v/220v	N46#	850kg	2	1580x505mm	800
QJYJ30A	3T	1750mm	55s	18s	2.2kw	DC24	380v/220v	N46#	850kg	2	1580x505mm	800



QJYJ30
QJYJ30A

◀ **QJYJ30 QJYJ30A Double Scissor Lift**

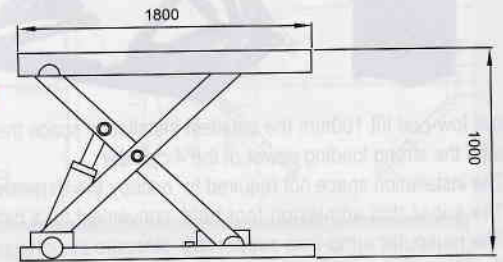
Suitable for medium and small vehicles weighing 3 tons and under
Suitable for the lifting of materials at production lines



QJY-S3 CE

◀ **QJY-S3 Scissor Hydraulic Lift**

The device is a kind of lift specially designed for replacing tire and engine oil of cars. The lift is deftly designed in configuration, reasonable in construction and convenient in operation. It is provided with hydraulic power and mechanical insurance, so as to ensure and maximize operating and service safety.



Model	Capacity	Min. Height	Outer Dimensions (LXWXH)	Power	Machine Weight
QJY-S3	2500kg	18cm	255X100X18cm	380/220v	385kg